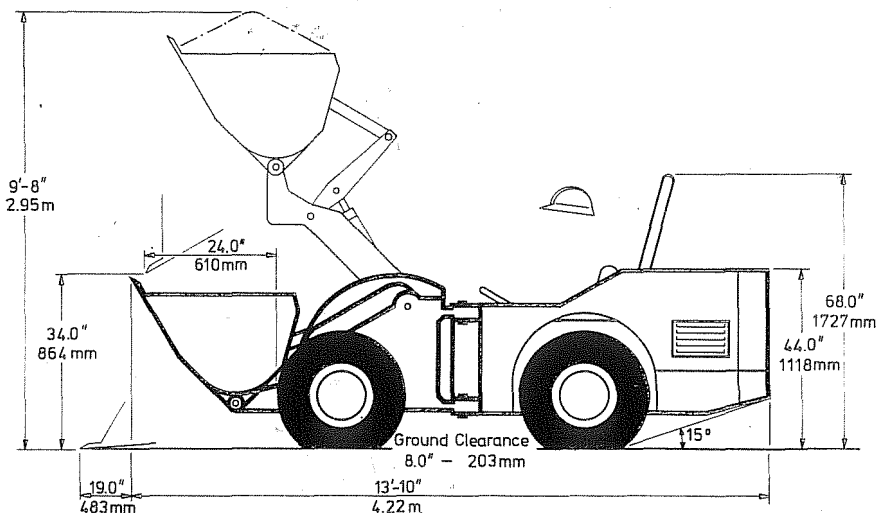
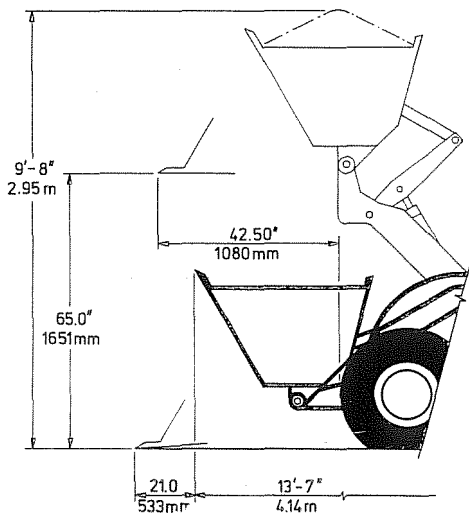
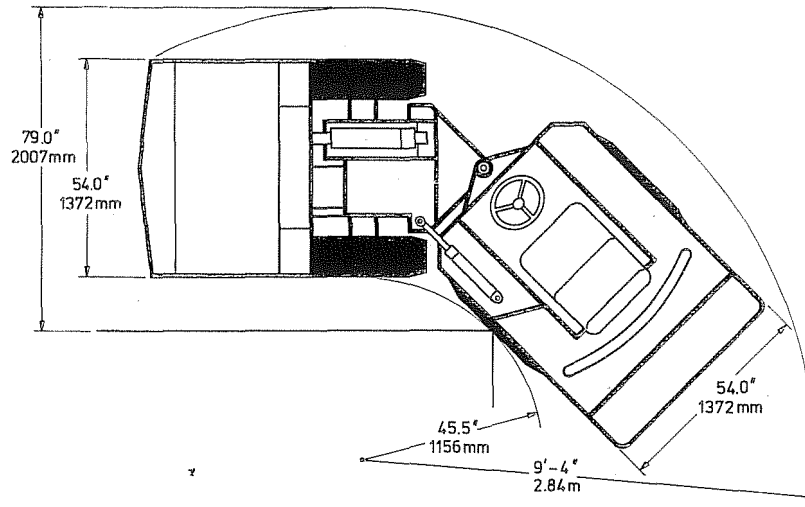




EIMCO 911B LHD

DEUTZ ENGINE

A 5,000 POUND CAPACITY DIESEL POWERED LOAD HAUL DUMP, DESIGNED FOR USE IN NON-GASSY MINES IN ACCORDANCE WITH THE U.S. CODE OF FEDERAL REGULATIONS, TITLE 30, PART 32 (MSHA SCHEDULE 24).



CAPACITIES

Standard Bucket:	
SAE Heaped	1 yard ³ (.76 m ³)
Struck	.8 yard ³ (.60 m ³)
Payload	5,000 pound (2,270 kg)
Tipping Load	7,000 pound (3,175 kg)
Breakout Force	8,000 pound (3,630 kg)

WEIGHTS

Shipping	10,200 pound (4,630 kg)
Operating	10,500 pound (4,765 kg)

BUCKET MOTION TIMES

Raise Full Bucket	
from Carry Position	5 seconds
Dump	3 seconds
Return from Dump	
to Carry Position	2 seconds

911B LHD

DEUTZ ENGINE

POWER

Type	Diesel—4 cycle, prechamber, air cooled
Make	DEUTZ
Horsepower, MSHA Rated	51 hp (38kW)
Ventilation, MSHA Specified	6000 cfm (170 m ³ /min)
Governed Speed	2300 rpm

POWER TRAIN

Transmission	SUNDSTRAND Hydrostatic Variable Displacement Pump Variable Displacement Motor Full flow filtration
Axles, Front & Rear	SPICER, heavy duty industrial with no-spin differential, fully floating axle shafts, planetary wheel ends
Transfer Case	Spur Gear

SERVICE BRAKES

Type	Disc with self-adjusting calipers
Actuation	Hydraulic, automotive type 2 independent systems*
Location	All 4 wheels
Diameter	16 inch (406 mm), each
	*Service Brakes are assisted by Dynamic Retardation through the hydrostatic drive system

PARK BRAKE

Type	Drum
Actuation	Mechanical
Location	Driveline
Diameter x Width	9 x 3 inch (228 x 76 mm)

TIRES

Size, Front & Rear	8.25x15 - 14 ply rating
Type	Tube

SEATING

Type	Forward facing at rear-center of machine
------	--

STEERING

Type	Center-articulated, full power hydraulic
System Pressure	See "Hydraulic System"
Articulation Joint	Heavy duty bronze bushings & hardened steel pins

OSCILLATION

Type	Rear axle bolster
Degree	5° either side 10° total

HYDRAULIC SYSTEM

Type	Closed, with pressurized reservoir
Steering Circuit:	
Pump Type	Vane
Output at 2300 Engine rpm	6.5 gpm (25 ltr/min)
System Pressure	1750 psi (121 bar), maximum
Bucket Circuit:	
Pump Type	Vane
Output at 2300 Engine rpm	11.5 gpm (44 ltr/min)
System Pressure	2000 psi (138 bar), maximum
Filtration:	
Rating	10 microns
Filter	Replaceable element
Cylinders:	
Type	Extra heavy duty, double acting with chromed rods
Diameter x Stroke:	
Bucket Tilt (1)	6 inch (152 mm)
Bucket Lift (1)	6 inch (152 mm)
Steering (1)	4 inch (102 mm)

ELECTRICAL SYSTEM

Type	12 volt
Alternator	55 amp
Batteries (1)	12 volt

TANK CAPACITIES

Fuel	10 gallon (38 liter)
Hydraulic	10 gallon (38 liter)

STANDARD EQUIPMENT

Electric Start
Catalytic Exhaust Conditioner
Lights, 2 Front & 2 Rear
Full Set Operating Gauges
Air Cushion Seat
Overhead Guard
Center Pivot Safety Link

OPTIONAL EQUIPMENT

1 yard³, 54" wide Ejector Bucket
Fork Lift Attachment
Air Starter
Water Bath Exhaust Conditioner
Canopy with Rollover Protection (ROPS)
Canopy with Falling Object Protection (FOPS)
Fire Suppression System
Sound Suppression System
Altitude Compensator

SPECIFICATIONS SUBJECT TO CHANGE WITHOUT NOTICE



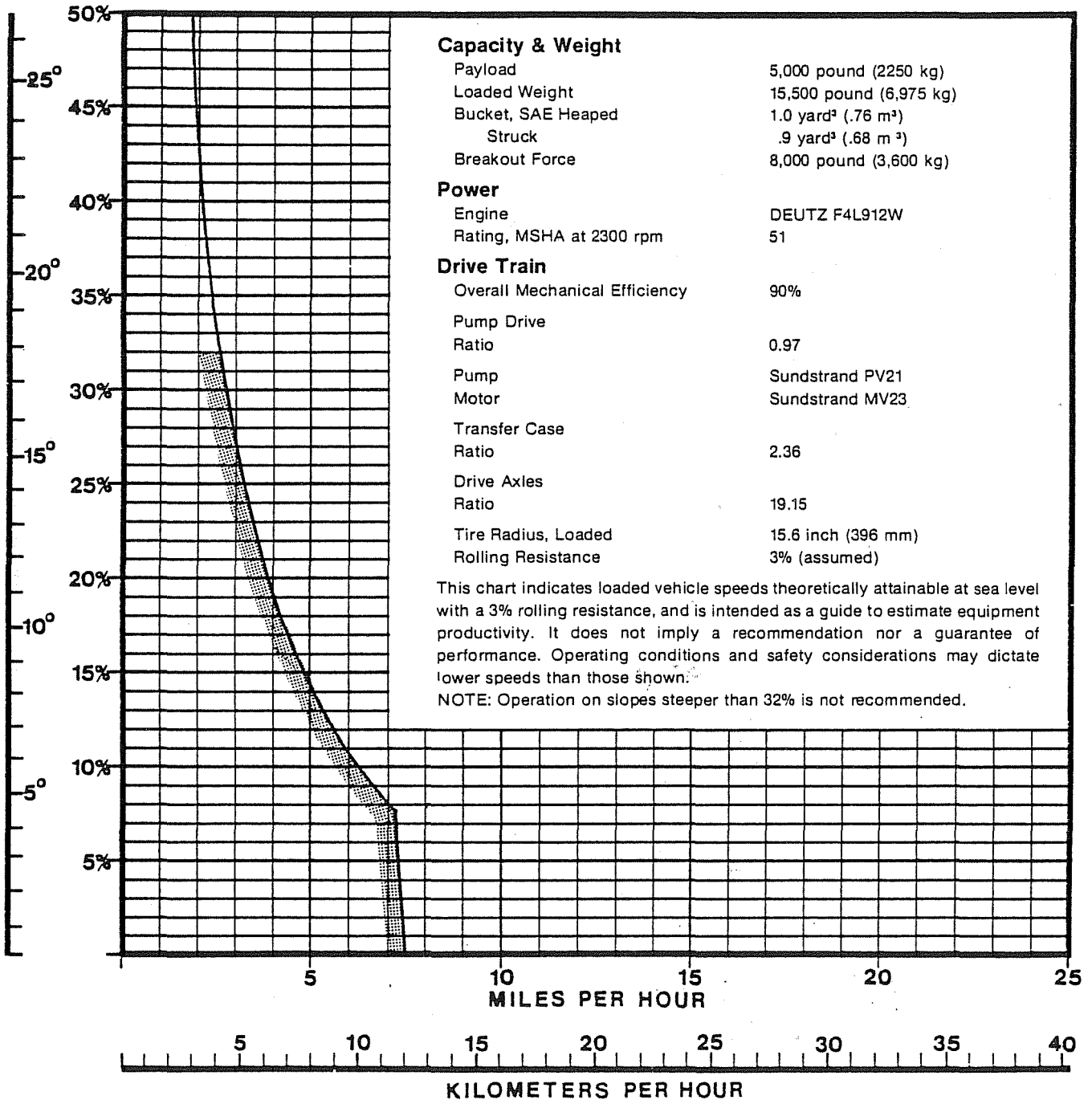
EIMCO
MINING MACHINERY
Envirotech Corporation

P. O. Box 1211
Salt Lake City, Utah 84110, USA
Telephone: 801/531-6000
Telex: 388-446

EIMCO 911B LHD

DEUTZ ENGINE

Gradeability



Capacity & Weight

Payload	5,000 pound (2250 kg)
Loaded Weight	15,500 pound (6,975 kg)
Bucket, SAE Heaped	1.0 yard ³ (.76 m ³)
Struck	.9 yard ³ (.68 m ³)
Breakout Force	8,000 pound (3,600 kg)

Power

Engine	DEUTZ F4L912W
Rating, MSHA at 2300 rpm	51

Drive Train

Overall Mechanical Efficiency	90%
Pump Drive	
Ratio	0.97
Pump	Sundstrand PV21
Motor	Sundstrand MV23
Transfer Case	
Ratio	2.36
Drive Axles	
Ratio	19.15
Tire Radius, Loaded	15.6 inch (396 mm)
Rolling Resistance	3% (assumed)

This chart indicates loaded vehicle speeds theoretically attainable at sea level with a 3% rolling resistance, and is intended as a guide to estimate equipment productivity. It does not imply a recommendation nor a guarantee of performance. Operating conditions and safety considerations may dictate lower speeds than those shown.

NOTE: Operation on slopes steeper than 32% is not recommended.

EIMCO Mining Machinery
International

PO Box 1211
Salt Lake City, Utah 84110 USA
Phone: 801/531-6000
Telex: 388-446

MM4028 4/80(2)

MSHA CERT. NO.		VENTILATION		cm
STD. INJ PUMP SETTING FOR ALTITUDE UP TO 1000 ft. and 20 °C:				
MAXIMUM INJECTION RATE		cm/1000 strokes (ISO Bench Test)		
CORRECTION FOR ALTITUDE		ft.	Temp.	°C
MAXIMUM INJECTION RATE		cm/1000 strokes (ISO Bench Test)		
FULL LOAD SPEED		R.P.M.		
MAX. HIGH IDLING SPEED		R.P.M.		
BASIC INJECTION TIMING		BEFORE TDC		
CAUTION: DO NOT BREAK FUEL SYSTEM SEALS. FUEL SETTINGS MUST BE REDUCED FOR HIGHER ALTITUDE, TEMPERATURE, OR HUMIDITY.				

